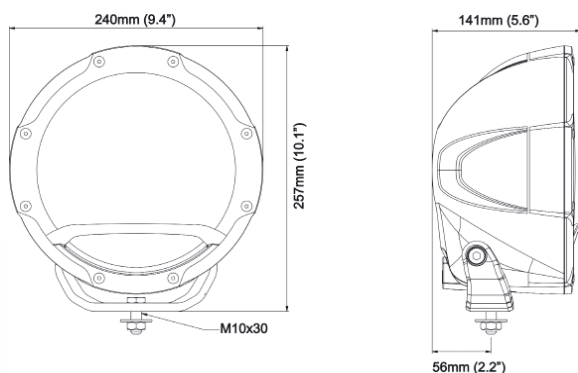


N2400HID

The new ECE-approved Nordic N2400 HID ELIMINATOR driving light features an integrated parking light and is designed especially for heavy duty use by trucks.

By utilizing the latest optic technology the light has the output capacity to produce a very bright light. The N2400 HID ELIMINATOR gives the driver a well-balanced light with an optimized light pattern and has a daylight-like colour temperature.

With its modern design and the biggest size on the market the light fits nicely in its Waterproof aluminium housing.



N2400HID ELIMINATOR Specifications

Approval :	ECE ref 40
Voltage DC :	12V: 8-16V 24V: 16-32V
Input Current :	12V: 3A 24V: 1,5A
Minimum Recommended Fuse :	12V: 20A 24V: 10A
Operating Temperature :	-40°C...+85°C
Bulb :	35W D1S
Lumens Output :	3200 +/- 450
Colour Temperature :	4250K
Housing :	Aluminium
Liens :	Hardened glass
Ballast/Electronics :	Integrated
Connector :	Deutsch DT -series 3-pin
Mount :	M10
Parking Light :	LED